

---

<b>1</b>	-----	<b>1</b>
1-1	-----	2
	-----	2
1-3	-----	2
1-4	-----	3
1-5	-----	4
1-5-1	-----	4
1-5-2	-----	4
1-5-3	-----	5
1-6	-----	6
1-7	-----	6
1-7-1	-----	6
1-7-2	-----	7
<b>2</b>	-----	<b>8</b>
2-1	-----	8
2-2	-----	8
2-3	-----	9
2-3-1	-----	9
2-3-2	-----	10
2-4	-----	10
<b>3</b>	-----	<b>12</b>
<b>4</b>	-----	<b>13</b>

# 1

1-1-1

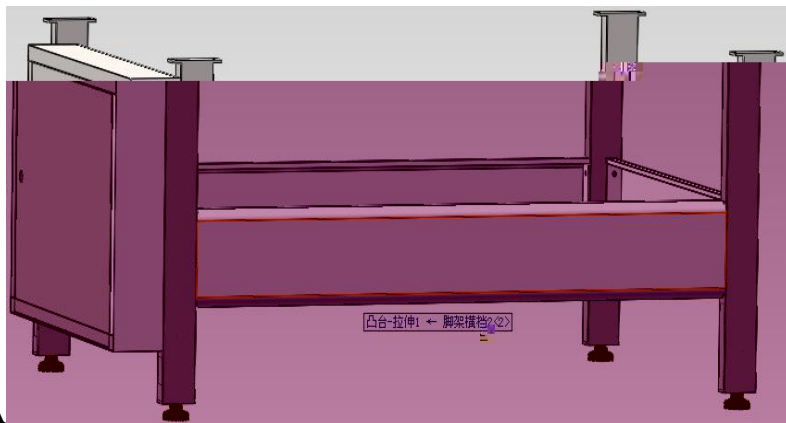
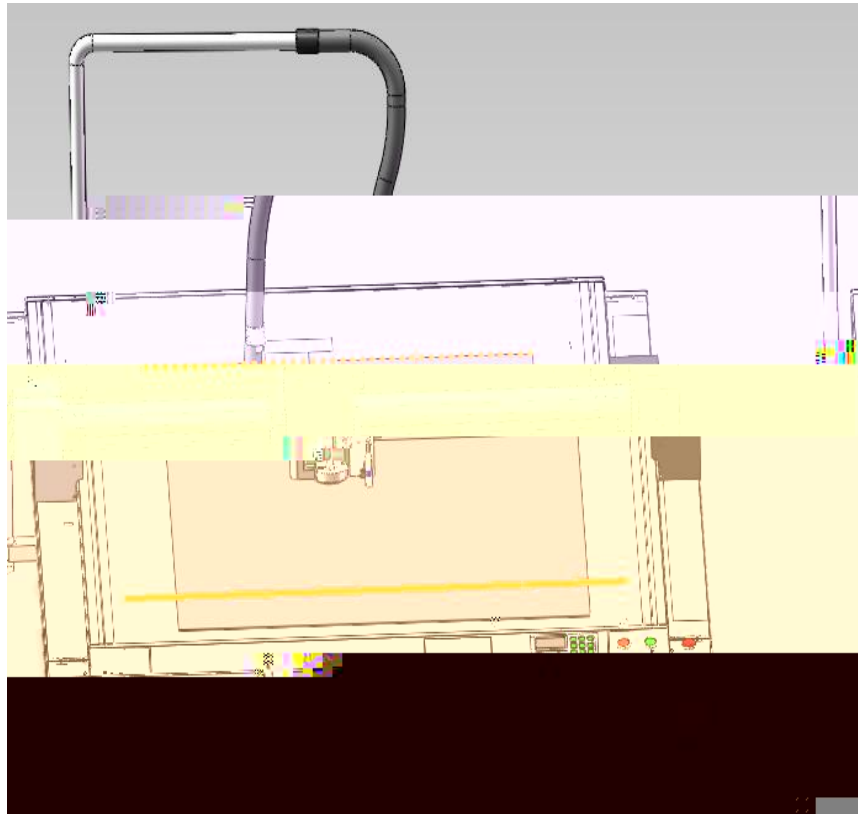
1-1-2

1-1-3

1-1-4

1-1-5

1-1-6



A

B

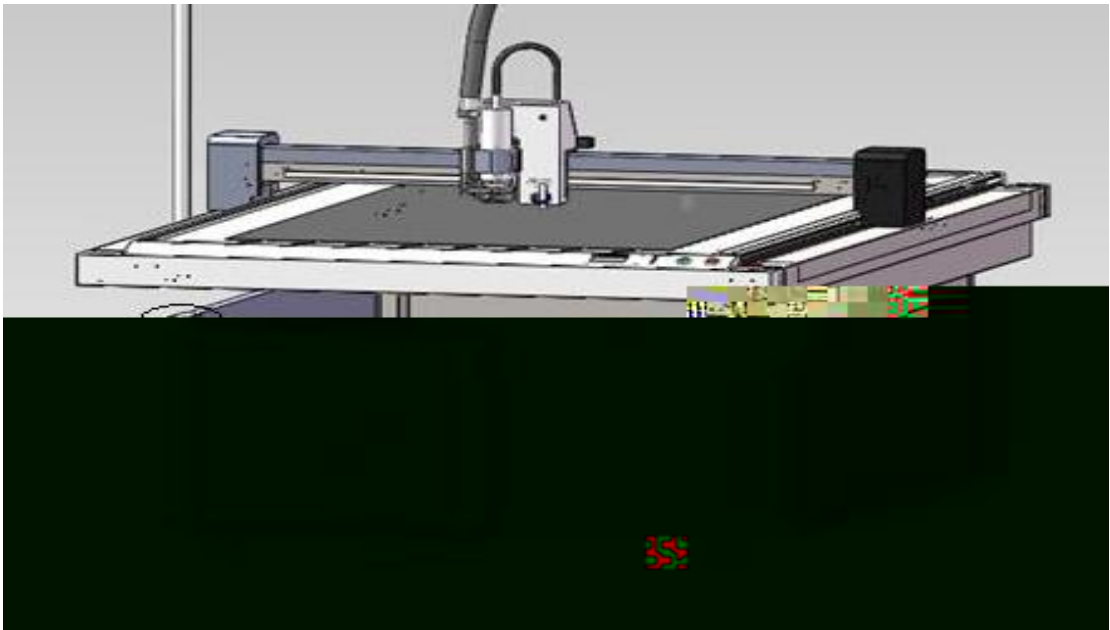


C

+ + + + +

1-5-1

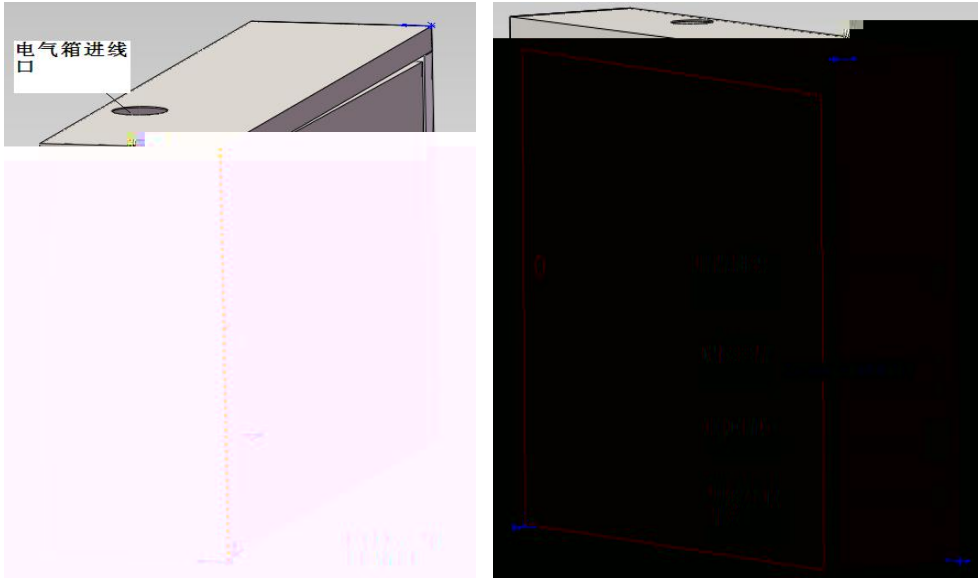
1-5-2



1-3

1-5-3

1 4



1 4

1-5



1 5

9

1

2

3

4

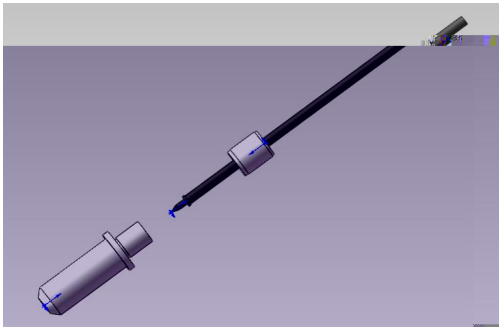
5

6

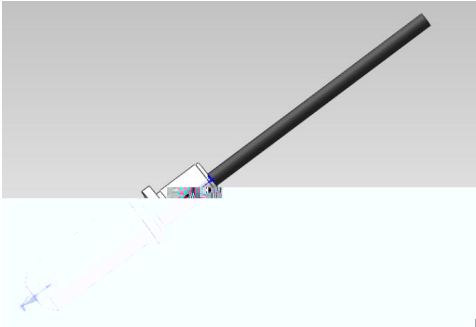
220V+10% 50HZ 5kW  
 220V+10%

5

1-7-1

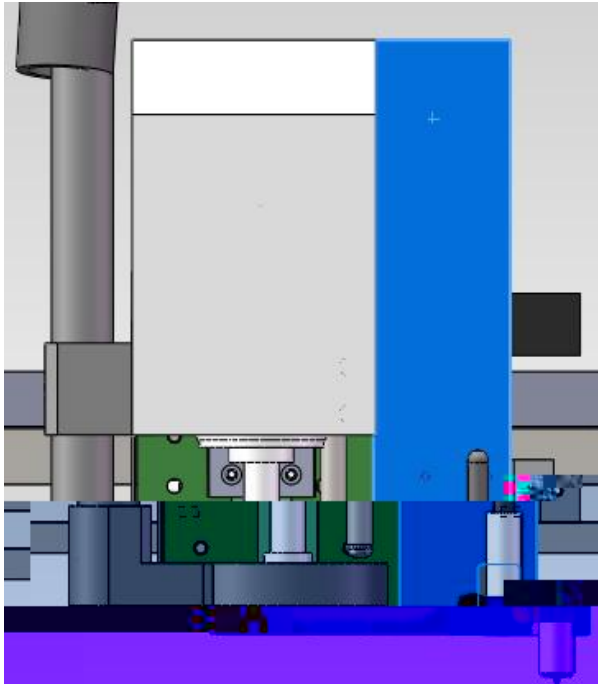


1-6



1-6

1-7



1-7

2MM

14 17

2-1-1

" ON"

1

2-1-2

OFF

2-2



2-2-1 "

"

2-2-2 "

"

3

2-2-3 " "

2-2-4 " "

2-4-4

2-2-5 " F1"

2-2-6 " "

3

1

1

	P
	P
	P
	P

**2-3-2**

" "

**2-4**

**2-4-1** " " ”

**2-4-2** " " "

**2-4-3** " F1"

**2-4-4** " "

1

X

Y

X

Y

œ

X

Y

X

Y

X

Y

2 "

"

b

:

:

:

a :

4 " "

2

1

2

3

5kg

4

5

6

AC220V+10% 50\60HZ 4000W

7

0.5-2MM PVC

8

9

10
